



PILA LED panel

PILA RC007B LED40S/840 PSU I W60L60 NOC

PILA Panel – system flux 4000 lm – 840 neutral white

Benefits

- Applicable for wide range of applications
- Supports energy saving
- Reliable quality



Product data

General information

Lamp family code	LED40S [LED Module, system flux 4000 lm]
Light source color	840 neutral white
Light source replaceable	-
Number of gear units	1 unit
Driver/power unit/transformer	PSU [Power supply unit]
Driver included	Yes
Emergency Lighting	-
Optic type	-
Control interface	No
Connection	Fly wire
Protection class IEC	Safety class I
Mounting	-
CE mark	Yes
EU RoHS compliant	Yes
Constant light output	No
Number of products on MCB of 16 A type B	-
URG <19	No
Product family code	RC007C [PILA Panel]

Operating and Electrical

Input Voltage	220-240 V
Input Frequency	50 to 60 Hz
Inrush current	-
Inrush time	-
Power Factor (Min)	> 0.9

Surge Protection (KV)	-
-----------------------	---

Controls and Dimming

Dimmable	No
----------	----

Mechanical and Housing

Housing Material	Steel
Optical cover/lens material	Polystyrene
Optical cover/lens finish	Opal
Overall diameter	595 mm
Overall height	595 mm
Overall height 1	33 mm
Color	White
Accessory	Suspension set, Surface mounted set, Plaster Set, Safety Cable

Approval and Application

Ingress protection code	IP20
Mech. impact protection code	-

Initial Performance (IEC Compliant)

Initial luminous flux (system flux)	4000 lm
Initial LED luminaire efficacy	100 lm/W
Init. Corr. Color Temperature	4000 K
Init. Color Rendering Index	> 80
Initial chromaticity	-
Initial input power	40 W



Over Time Performance (IEC Compliant)

Lifetime L70	35,000 h
--------------	----------

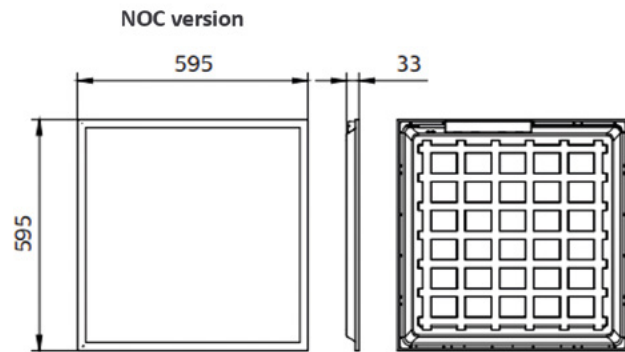
Application Conditions

Performance ambient temperature Tq	-
------------------------------------	---

Product Data

Full product code	87195149599729900
Order product name	PILA RC007B LED40S/840 PSU I W60L60 NOC
EAN/UPC - Product	871951495997299
Order code	911401879584
Numerator - Quantity Per Pack	1
Numerator - Packs per outer box	1
Material Nr. (12NC)	911401879584
Net Weight (Piece)	2.100 kg

Dimensional drawing





PILA LED panel

PILA RC007B LED40S/840 PSU I W60L60 OC

PILA Panel – system flux 4000 lm – 840 neutral white

Benefits

- Applicable for wide range of applications
- Supports energy saving
- Reliable quality



Product data

General information

Lamp family code	LED40S [LED Module, system flux 4000 lm]
Light source color	840 neutral white
Light source replaceable	-
Number of gear units	1 unit
Driver/power unit/transformer	PSU [Power supply unit]
Driver included	Yes
Emergency Lighting	-
Optic type	-
Control interface	No
Connection	Fly wire
Protection class IEC	Safety class I
Mounting	-
CE mark	Yes
EU RoHS compliant	Yes
Constant light output	No
Number of products on MCB of 16 A type B	-
URG <19	Yes
Product family code	RC007C [PILA Panel]

Operating and Electrical

Input Voltage	220-240 V
Input Frequency	50 to 60 Hz
Inrush current	-
Inrush time	-
Power Factor (Min)	> 0.9

Surge Protection (KV)	-
-----------------------	---

Controls and Dimming

Dimmable	No
----------	----

Mechanical and Housing

Housing Material	Steel
Optical cover/lens material	Polystyrene
Optical cover/lens finish	Micro prism
Overall diameter	595 mm
Overall height	595 mm
Overall height 1	34 mm
Color	White
Accessory	Suspension set, Surface mounted set, Plaster Set, Safety Cable

Approval and Application

Ingress protection code	IP20
Mech. impact protection code	-

Initial Performance (IEC Compliant)

Initial luminous flux (system flux)	4000 lm
Initial LED luminaire efficacy	100 lm/W
Init. Corr. Color Temperature	4000 K
Init. Color Rendering Index	> 80
Initial chromaticity	-
Initial input power	40 W

Over Time Performance (IEC Compliant)

Lifetime L70	35,000 h
--------------	----------

Application Conditions

Performance ambient temperature Tq	-
------------------------------------	---

Product Data

Full product code	87195149599899900
Order product name	PILA RC007B LED40S/840 PSU I W60L60 OC
EAN/UPC - Product	871951495998999
Order code	911401879684
Numerator - Quantity Per Pack	1
Numerator - Packs per outer box	1
Material Nr. (12NC)	911401879684
Net Weight (Piece)	2.100 kg

Dimensional drawing

